

Gardening

THE

EASY WAY



4' x 4' Premium Raised Vinyl Garden Bed Regular gardens are a pain in the back, literally. Bending and squatting to reach those pesky weeds and collect the fruit and vegetables from the plants. Week after week, battling grass and weeds creeping in from the lawn.

Raised wooden garden boxes require effort to build and tools to cut wood and nail boards together. They look great after they are built and stained, but they require a fresh coat of paint every couple years. Introducing Raised Vinyl Garden Beds Our raised vinyl garden beds are comparable in cost to wooden garden beds without the effort to build and maintain! Put together in 30 minutes, it will look as amazing after 10 years as it does on day one.



Features:

- ✓ No more painting
- ✓ Low maintenance
- ✓ Install in 10 minutes
- ✓ Will not warp like wood
- ✓ Sturdy vinyl construction
- ✓ Will not fade, yellow or chalk
- ✓ Resistant to bowing/bending

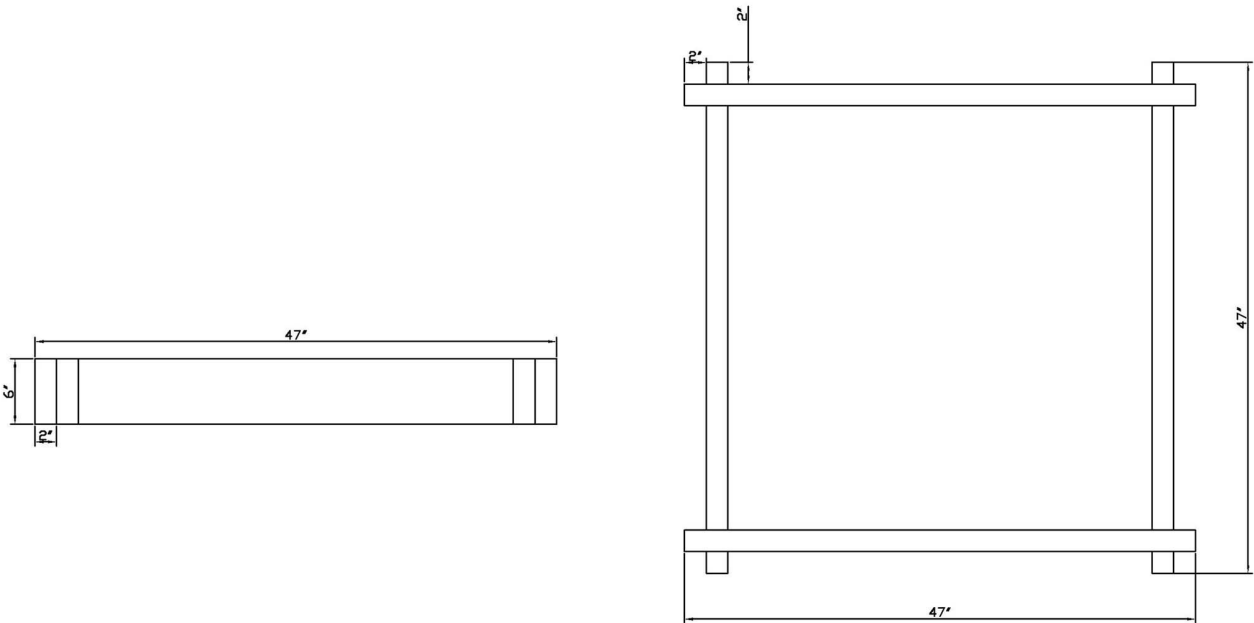


For more details call 1-888-751-5324 or email info@directfencingsupply.ca
www.directfencingsupply.com



DISTRIBUTOR FOR
NATIONWIDE
INDUSTRIES

WWW.DIRECTFENCINGSUPPLY.CA



1 box for each 4X4 garden box kit

Box size is 47" x 8.25" x 6.25" weight 20lbs

35 boxes on a pallet

Pallet size is 47.25" x 42.32" x 50.2" weight 750lbs