

Gardening THE EASY WAY



Regular gardens are a pain in the back, literally. Bending and squatting to reach those pesky weeds and collect the fruit and vegetables from the plants. Week after week, battling grass and weeds creeping in from the lawn.

Raised wooden garden boxes require effort to build, using tools to cut wood and nail boards together. They look great after they are built and stained, but they require a fresh coat of paint every couple years.

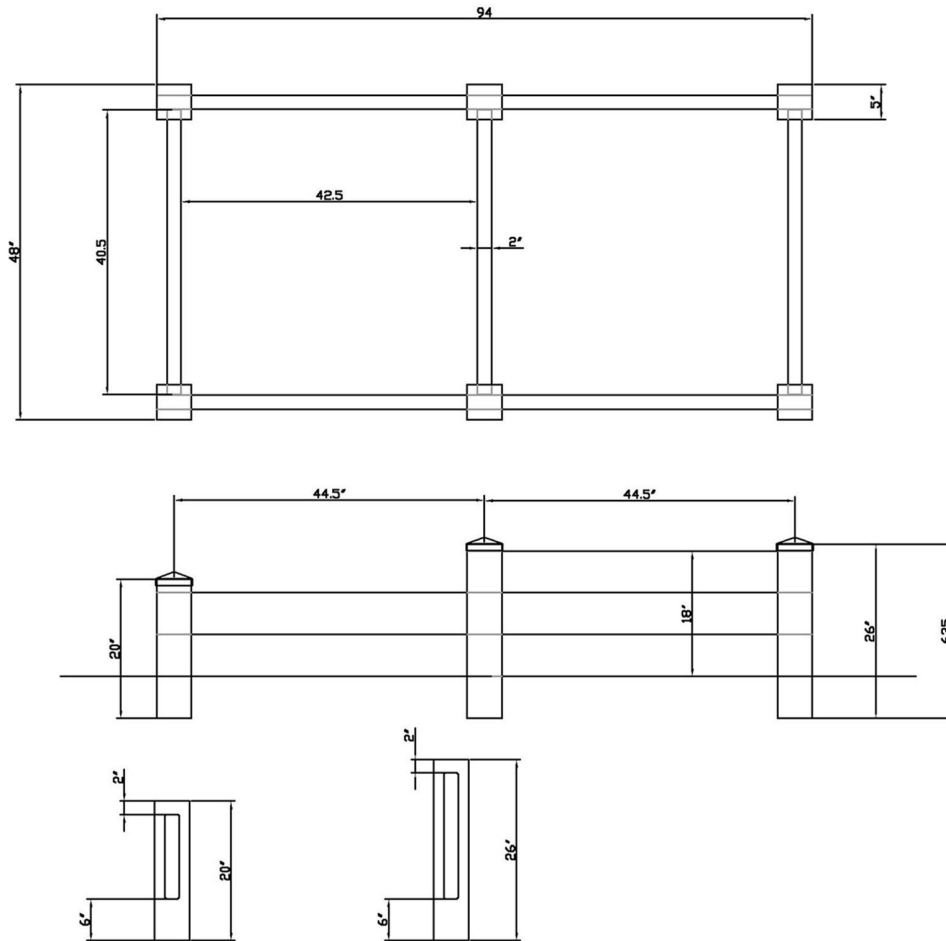
Our raised vinyl garden beds are comparable in cost to wooden garden beds without the effort to build and maintain! Put together in 30 minutes, it will look the same after 10 years as it does on day one.



Features:

- ✓ No more painting
- ✓ Low maintenance
- ✓ Install in 30 minutes
- ✓ Will not warp like wood
- ✓ Sturdy vinyl construction
- ✓ Will not fade, yellow or chalk
- ✓ Resistant to bowing/bending

For more details call 1-888-751-5324 or email info@directfencingsupply.ca
www.directfencingsupply.com



4x8 Garden box comes in 4 boxes

Posts (1 box) = 24 lbs @ 72.5" x 10.5" x 6", box contains 2 - 20" posts, 4 - 26" posts, 6 post caps, 12 TRT, 1 - PVC Glue, 28 screws

Rails (3 boxes) = 26 lbs @ 47" x 13" x 6.5", each box contains 6 - 2X6 rails 46 1/2" long.

Total weight of full kit = 102 lbs

Pallet size

Post Box Pallet - 40"x40"x46" - 440lbs, 16 boxes per pallet

Rail Box Pallet - 50"x45"x44" - 675lbs, 24 boxes per pallet

1 Post Box Pallet and 3 Rail Box Pallets is 16 complete 4X8 Garden Boxes