



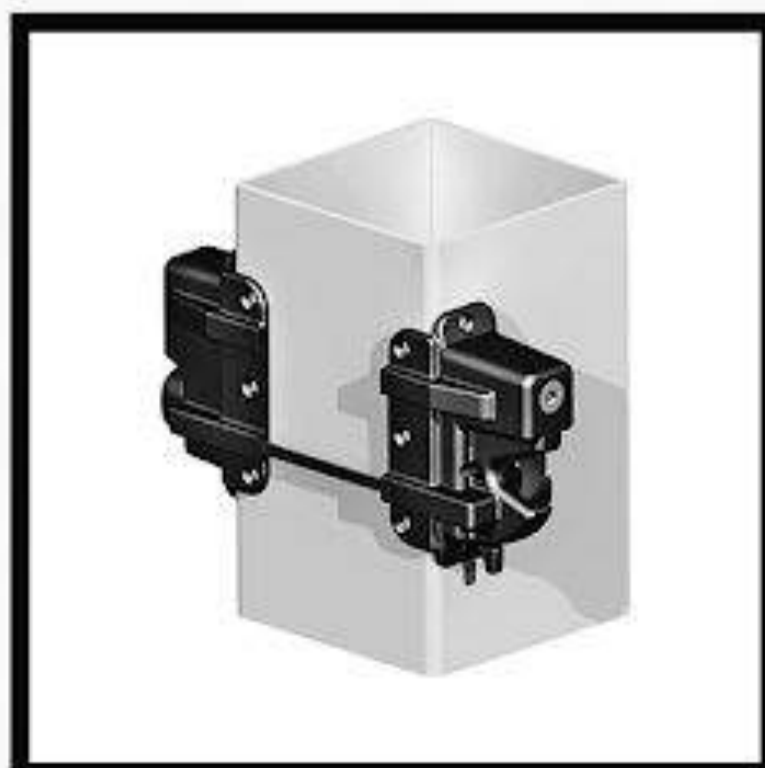
DIRECT FENCING SUPPLY

NATIONWIDE
INDUSTRIES™

MALDEN
METALS

HARDWARE COLLECTION

HINGES • LATCHES • ACCESSORIES



KLX-P2-BK



C2H200F-SD-BK



KLADV-P2SD-BK



CL-7212

INNOVATIVE PRODUCTS FOR THE FENCE INDUSTRY



NATIONWIDE INDUSTRIES



VINYL HARDWARE

HINGES

NYLON



Point-Load Tested to 1500 lbs per pair!

CornerStone® 2 Non-Adjustable Self-Closing Hinge

- ▶ Post and Gate flanges: 1" (W) x 1" (D)
- ▶ Heavy duty design produced with durable glass-filled nylon
- ▶ 1/4" Allen wrench included for easy Turn-N-Go™ tension adjustment
- ▶ 20 pair per box @ 33lbs

C2H100N-SD-BK Black with stainless steel self-drilling screws

1 MILLION Cycle Warranty



Point-Load Tested to 1500 lbs per pair!

CornerStone® 2 Adjustable Self-Closing Hinge

- ▶ Horizontally adjustable to 0.98"
- ▶ Vertically adjustable to 0.875"
- ▶ Fits both right and left-hand applications
- ▶ 1/4" Allen wrench included for easy Turn-N-Go™ tension adjustment
- ▶ 20 pair per box @ 46lbs

C2H200F-SD-BK Black with stainless steel self-drilling screws

C2H200F-SD-WH White with stainless steel self-drilling screws

1 MILLION Cycle Warranty



Point-Load Tested to 1000 lbs per pair!

CornerStone® Adjustable Self-Closing Hinge

- ▶ Horizontally adjustable to 1 1/4"
- ▶ Vertically adjustable to 1/2"
- ▶ Fits both right and left-hand applications
- ▶ 20 pair per box @ 40lbs

CH200F-SD-BK Black with stainless steel self-drilling screws.

1 MILLION Cycle Warranty

CALL TOLL-FREE: 1-888-751-5324



NATIONWIDE INDUSTRIES



VINYL HARDWARE



CornerStone® Adjustable Self-Closing Hinge

- ▶ Both flanges: 4.25"(H) x 2.88"(W) x 1.50"(D)
- ▶ Back plates allow horizontal and vertical adjustability
- ▶ Produced with durable glass-filled nylon
- ▶ 1/4" Allen wrench included for tension adjustment
- ▶ 20 pair per box @ 42lbs



CH300F-SD-BK Black with stainless steel self-drilling screws.



CornerStone® 2 Adjustable Self-Closing Hinge

- ▶ Horizontally adjustable to 1.0"
- ▶ Vertically adjustable to 1.0"
- ▶ Fits both right and left-hand applications
- ▶ 1/4" Allen wrench included for easy Turn-N-Go™ tension adjustment
- ▶ 10 pair per box @ 30lbs



C2H300F-SD-BK Black with stainless steel self-drilling screws

C2H300F-SD-WH* White with stainless steel self-drilling screws

*Special Order

STAINLESS STEEL



Adjustable Stainless Steel Self-Closing Hinge

- ▶ Post flange: 3.5"(H) x 3.5"(W) x 3.5"(D)
- ▶ Gate flange: 3.5"(H) x 2.75"(W) x 1.25"(D)
- ▶ Horizontally adjustable
- ▶ Enclosed spring with tension adjustment
- ▶ 12 pair per box @ 42lbs

NW171NASCA-SSBD-BK Black with stainless steel self-drilling screws

NW171NASCA-SSWD-WH White with stainless steel self-drilling screws

CALL TOLL-FREE: 1-888-751-5324



NATIONWIDE
INDUSTRIES



VINYL HARDWARE



Adjustable Stainless Steel Self-Closing U-Hinge

- ▣ Enclosed spring with tension adjustment
- ▣ 20 per box
- ▣ 8 case minimum order

NW6082BU-SSBD-BK Black for 2 1/2" gate frames

NW6082BU-SSWD-WH White for 2 1/2" gate frames



Adjustable Stainless Steel Self-Closing Hinge Small Profile

- ▣ 12 pair per box @ 29lbs

NW171SCP5-SSBD-BK Black with stainless steel self-drilling screws

MILD STEEL



Adjustable Steel Self-Closing Hinge

- ▣ Post Flange (3 1/2" x 1 1/4")
- ▣ Gate Flange (3 1/2" x 1 1/4")
- ▣ Horizontally adjustable
- ▣ Spring tension adjustable
- ▣ 10 pair per box @ 38lbs

SV171-BK Black

SV171-WH White



Steel 2" Self-Closing Hinge Wrap Around

- ▣ Post Flange (3 1/2" x 1 1/4")
- ▣ Gate Flange 2" Wrap-Around
- ▣ Horizontally adjustable
- ▣ Spring tension adjustable
- ▣ 12 pair per box @ 45lbs
- ▣ (NW6082BSCP-SSx Equivalent)

SV38967-BK Black

SV38967-WH White

CALL TOLL-FREE: 1-888-751-5324



NATIONWIDE
INDUSTRIES



VINYL HARDWARE

LATCHES

NYLON

Keystone® Latch



- ▶ Locking feature accessible from both sides
- ▶ Reversible for right-hand or left-hand use
- ▶ Glass-filled nylon housing
- ▶ Thumb release button on one side, gravity latch lever on opposite side
- ▶ Stainless steel screws included
- ▶ 20 per box @ 23lbs

KLADV-P2SD-BK Black (Nylon)

KLADV-P2SD-WH White (Nylon)

1
MILLION
Cycle
Warranty

Keystone® X2 eXternal Mount Latch (Lockable)



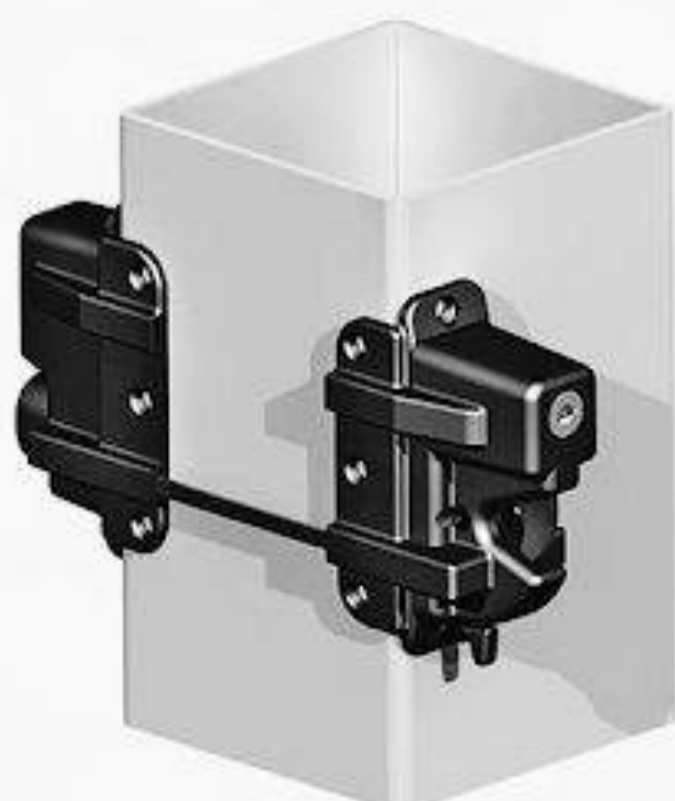
- ▶ 1-sided
 - ▶ 20 per box @ 20lbs
- KLX2-P1SD-BK** Black with stainless steel self-drilling screws

- ▶ 2-sided
- ▶ Slimline design
- ▶ 20 per box @ 13lbs

KLX2-P2SD-BK Black with stainless steel self-drilling screws

1
MILLION
Cycle
Warranty

Keystone® X eXternal Mount Latch



- ▶ Marked in 1/2" increments for quick, easy and accurate fitting to post sizes 2" - 5"
- ▶ Flat design safely encloses spindle ends
- ▶ 20 per box @ 22lbs
- ▶ Use with KLX-RPA for chain link

KLX-P2SD-BK Black (Nylon)

1
MILLION
Cycle
Warranty

CALL TOLL-FREE: 1-888-751-5324



NATIONWIDE
INDUSTRIES



VINYL HARDWARE



Keystone® Self-Locking PanicLatch

- ▶ Self-Locking anti-tamper design
- ▶ Easy exit with large button
- ▶ Secure Entry with 6 pin key
- ▶ 6 per box @ 20lbs
- ▶ Use with KPL-RPA for chain link

KPL-P2SD-BK Black with self-drilling screws.

**1
MILLION
Cycle
Warranty**



Mechanical Keypad Lever Lock

- ▶ Keeper has vertical adjustment and needs to be located on the post
- ▶ Fits a gate frame of 2"-5"
- ▶ Reversible for left and right handed use
- ▶ 10 per box @ 15lbs
- ▶ 2-sided

KYPD-2D-BK Black

**1
MILLION
Cycle
Warranty**



Adapter for Keypad Lever Lock

- ▶ Mechanical Combination Locks - No electronics
- ▶ Passage function may be set for exiting without code
- ▶ Easy code change with any amount of numbers
- ▶ Dead locking spring latch
- ▶ Slip clutch design - No damage to lock if handle is pushed down too hard
- ▶ Locks never need lubrication
- ▶ 10 per box

KYPD-ADAPTER-BK Black

CALL TOLL-FREE: 1-888-751-5324



NATIONWIDE
INDUSTRIES



VINYL HARDWARE

Armor Latch®



- ▶ Locks & unlocks from either side
- ▶ Add aluminum cover plates for metal look and color
- ▶ Re-keyable to home locks
- ▶ Reversible for left or right hand use
- ▶ Easy installation including horizontal & vertical adjustability
- ▶ Works with double drive gates
- ▶ Fits gate frames from 1-1/2" to 5" deep
- ▶ 10 per box @ 21lbs

1
MILLION
Cycle
Warranty

NW6244-SD-FB Flat Black with self-drilling stainless steel screws.

Cover Plate for Armor Latch



- ▶ 10 per box @ 6lbs

NW6244CV-WH White

Magnetic Side Pull Latch



- ▶ 20 per box

SPL100-SD-BK Black with self-drilling screws.

Trident Pool Latch



- ▶ SAFE-NOTCH® feature
- ▶ LATCH WHEN LOCKED™ feature
- ▶ Easy to see the maximum amount of gap width
- ▶ Easy to use markings show proper gate alignment
- ▶ Enhanced Knob Design
- ▶ Angled Key Hole
- ▶ 20 per box @ 20lbs

TRIDENT10-BK-SD Black

1
MILLION
Cycle
Warranty

CALL TOLL-FREE: 1-888-751-5324



NATIONWIDE
INDUSTRIES



VINYL HARDWARE

STAINLESS STEEL

Stainless Steel Gate Latch



- ▶ Strike flange: 1.75"(W) x 3.5"(H) x 1.25"(D)
- ▶ Latch flange: 2.5"(W) x 5.5"(H) x 1.5"(D)
- ▶ Allows entry from both sides
- ▶ Mounts around corner of post and gate frame
- ▶ Pad-lockable on both sides – up to 5" post
- ▶ .63" Strike Bar
- ▶ Return spring for reversible mounting
- ▶ Stainless steel screws included
- ▶ 20 per box @ 36lbs

NW38308NUA-SSBD Black

NW38308NUA-SSWD White

Stainless Steel Slim Line Latch



- ▶ Strike flange: 3.12"(W) x 3.5"(H) x 1.38"(D)
- ▶ Latch flange: 1.88"(W) x 5.5"(H) x 1.5"(D)
- ▶ Mounts around corner of post and gate frame
- ▶ Pad-lockable on both sides – Locking slide switch on latch arm
- ▶ Allows entry from both sides
- ▶ Reversible mounting (right or left handed)
- ▶ .63" Strike bar
- ▶ Stainless steel screws included
- ▶ 20 per box @ 44lbs

NW6255-SD-BK Black

CALL TOLL-FREE: 1-888-751-5324



NATIONWIDE
INDUSTRIES



VINYL HARDWARE

MILD STEEL

Gate Latch with Extended Lock



- ▶ Deluxe Post Latch ****Straight Handle Version****
- ▶ Adjustable For 'Right' or 'Left' Hand Gate Opening
- ▶ Pad-lockable on both sides of 4" or 5" posts
- ▶ 20 per box @ 34lbs

SV38308NUAS-BK Black

SV38308NUAS-WH White

Flip Latch



- ▶ Commercial grade
- ▶ Great for dumpster use
- ▶ Pad-lockable
- ▶ Zinc plate steel with black powder coated finish
- ▶ 4 Stainless steel through-bolt hardware included
- ▶ 10 per box @ 37lbs

NW6169-SD-BK Black

Two-Side Activated Latch with Spring



- ▶ Deluxe Post Latch ****Straight Handle Version****
- ▶ Adjustable for 'Right' or 'Left' Hand Gate Opening
- ▶ Pad-lockable On One Side Only
- ▶ Ideal For Narrow Gate Frames
- ▶ 40 per box @ 29lbs

SV6068A-BK Black

SV6068A-WH White

CALL TOLL-FREE: 1-888-751-5324



NATIONWIDE
INDUSTRIES



VINYL HARDWARE

ACCESSORIES

..... NYLON

Gate Handle

- ▶ Made with durable glass-filled nylon with UV inhibitors
- ▶ Flanges are each 1.25"(W) x 1.25"(D) for durable attachment
- ▶ Overall height is 7" and handle is 1.75" deep
- ▶ Designed for our Canadian climate
- ▶ 50 per box

GT-GHSD-BK Black with stainless steel self-drilling screws

GT-GHSD-WH White with stainless steel self-drilling screws



Gate Handle with Bumper

- ▶ Made with durable glass-filled nylon with UV inhibitors
- ▶ Flanges are each 2"(W) x 1.75"(D) for durable attachment
- ▶ Overall height is 4.5" and handle is 1" deep
- ▶ Very comfortable and easy to grasp
- ▶ 50 per box @ 25lbs
- ▶ Also available in quantities of 10

NW6143S-SD-BK Black with stainless steel self-drilling screws

NW6143S-SD-WH White with stainless steel self-drilling screws

*Rubber pad backing absorbs gate slamming shock, reducing latch wear



Gate Handle

- ▶ Made with durable glass-filled nylon with UV inhibitors
- ▶ Flanges are each 1.5"(W) x 1.25"(D) for durable attachment
- ▶ Overall height is 5" and handle is .75" deep
- ▶ Very comfortable and easy to grasp
- ▶ 50 per box @ 8lbs

NW314S-BK-SD Black with stainless steel self-drilling screws.

NW314S-WH-SD White with stainless steel self-drilling screws.



CALL TOLL-FREE: 1-888-751-5324



NATIONWIDE
INDUSTRIES



VINYL HARDWARE



36" Stainless Steel Key Locking Drop Rod

- ▶ Add the appeal of a key lock to your drop rod
- ▶ Anti-theft protection
- ▶ The handle & brackets are made of low-maintenance, glass filled nylon
- ▶ The rods are 300 series stainless steel
- ▶ Available with Black or White brackets
- ▶ 2-sided bracket attachment
- ▶ Stainless steel screws included
- ▶ 10 per box @ 36lbs

NW38305KL-36SSB-SD Black

NW38305KL-36SSW-SD White

..... STAINLESS STEEL



36" Stainless Drop Rods with Holder

- ▶ No locking nibs
- ▶ Includes holder for "up" position
- ▶ 10 per box @ 36lbs

NW38305H-36SSBD Black with stainless steel self-drilling screws

NW38305H-36SSWD White with stainless steel self-drilling screws



Shotgun® Gate Closer

- ▶ One SKU closes any gate up to 250lbs*
- ▶ Anti-slam technology
- ▶ Adjustable closing speed
- ▶ No oil therefore no leaks
- ▶ 10 per box @ 67lbs

SHOTGUN-BK Black

*Tested on a 6' high, 6' wide. Needs a gate stop at 90 degrees

CALL TOLL-FREE: 1-888-751-5324



NATIONWIDE
INDUSTRIES



VINYL HARDWARE



Guards
Against
Sagging and
Warping!

Gate Brace

- ▶ Aluminum brace
- ▶ Available in powder-coated black or white
- ▶ Fits 4' x 4' to 6' x 6' gates
- ▶ 20 per box

NW6132-SD-BK Black

NW6132-SD-WH White

MILD STEEL

Gate Wheel



- ▶ Stainless steel bracket and spring
- ▶ Swivel design for ease of use
- ▶ 2-sided attachment for added strength
- ▶ Nationwide's V-notch™ styling
- ▶ May be used on any square profile
- ▶ Powder-coated finish
- ▶ Stainless steel screws included
- ▶ 10 per box @ 38lbs
- ▶ Easily reversible for use on left or right-handed gates

GW1-BK Black

GW1-WH White

36" Heavy Duty Steel Drop Rod



- ▶ Utilizes Standard 36" Pad-Lockable Zinc Rod
- ▶ Bracket Flange (1 5/8" W x 1 1/2" D x 3" H)
- ▶ 20 pair per box @ 38lbs
- ▶ (NW38305N-36SSx Equivalent)

SV38305N-36BK Black

SV38305N-36WH White

CALL TOLL-FREE: 1-888-751-5324



NATIONWIDE
INDUSTRIES



CHAIN LINK HARDWARE

HINGES

Heavy Duty Self-Closing Hinge

- ▣ Fits 1-3/8" to 1-7/8" gate frames
- ▣ Fits 2-3/8" to 2-7/8" posts
- ▣ 10 per box @ 32lbs

CL-7211-BK Black

CL-7211-GY Gray



Heavy Duty Self-Closing Hinge

- ▣ 4 Fits 1-3/8" to 1-7/8" gate frames
- ▣ Fits 4" posts
- ▣ 10 per box @ 35lbs

CL-7212-BK Black

CL-7212-GY Gray



CornerStone® Round Post Hinge

- ▣ Shims to 1-7/8", 2-3/8", 2-5/8" or 2-7/8" post and 1-3/8" or 1-5/8" frame
- ▣ Horizontally adjustable up to 1-1/4"
- ▣ Vertically adjustable up to 1/2"
- ▣ Fits both right and left hand applications
- ▣ Includes steel self-drilling screws
- ▣ 20 per box @ 40lbs

CH200FR-SD-BK Black.

**1
MILLION
Cycle
Warranty**

CALL TOLL-FREE: 1-888-751-5324



NATIONWIDE
INDUSTRIES



CHAIN LINK HARDWARE

LATCHES



Keystone® X-External Mount Latch

- ▶ Marked in 1/2" increments for quick, easy and accurate fitting to square post sizes 2" - 5"
- ▶ Flat design safely encloses spindle ends
- ▶ 20 per box @ 22lbs
- ▶ (use with KLX-RPA for chain link)

KLX-P2SD-BK Black

**1
MILLION
Cycle
Warranty**



KLX Round Post Adapter Kit

- ▶ Includes mounting screws
- ▶ 17 per box @ 23lbs
- ▶ (use with KLX-P2)

KLX-RPA-BK Black

**1
MILLION
Cycle
Warranty**



Keystone® Self-Locking PanicLatch™

- ▶ 6 per box @ 9lbs
- ▶ (use with kpl-rpa for chain link)

KPL-P2SD-BK Black.

**1
MILLION
Cycle
Warranty**



Keystone® Self-Locking PanicLatch™ Round Post Adaptor

- ▶ Keystone® Self-Locking Paniclatch™ sold separately (adapter only)
- ▶ Designed to work on 2" to 6-5/8" on the latch side (post) and 1-3/8" to 2" on the keeper side (gate).
- ▶ 6 per box @ 9lbs

KPL-RPA-BK Black.

**1
MILLION
Cycle
Warranty**

CALL TOLL-FREE: 1-888-751-5324



NATIONWIDE
INDUSTRIES



CHAIN LINK HARDWARE

ACCESSORIES



4" Nylon Cantilever Roller with Shield

- ▶ 4" x 2-3/8"
- ▶ 2 per box @ 35lbs

WI-CR3-N-TBC (CL-CRNYL4C-S)



Chain Link to Wood Panel Brackets

- ▶ 2-3/8"
- ▶ Pre-Galvanized
- ▶ No screws included
- ▶ 4 Chain Link Post to Wood Panels
- ▶ 50 per box @ 23lbs

NW6287-PG (WI-WSA-A)

CALL TOLL-FREE: 1-888-751-5324



NATIONWIDE
INDUSTRIES



WOOD HARDWARE



Blunt 'T' Hinge

- ▶ Zinc plate steel with black finish
- ▶ 1 3/4" lag screws for fence
- ▶ 1 3/4" lag screws for gate
- ▶ 20 pair per box @ 40lbs

NW6172-BK Black



Contemporary Walk Gate Set

- ▶ Zinc plate steel with black finish
- ▶ Screws with black finish
- ▶ Includes: pair of 8" double strap hinges, post latch and 9" handle
- ▶ 10 set per box @ 53lbs

NW-38948CQ Black

Also Available in Hammered Bronze



Contemporary Gate Latch with Handle

- ▶ Larger opening allows for more play of strike bar
- ▶ 20 per box

NW38310WQ Black



8" Contemporary Double Strap Hinge

- ▶ Zinc plate steel with black finish
- ▶ 1 3/4" lag screws with black finish
- ▶ 20 pair per box @ 61lbs

NW38944Q Black

Also Available in Hammered Bronze



Flip Latch

- ▶ Commercial grade
- ▶ Great for dumpster use
- ▶ Pad-lockable
- ▶ Zinc plate steel with black powder coated finish
- ▶ Stainless steel through-bolt hardware included
- ▶ 10 per box @ 37lbs

NW6169-BK Black

CALL TOLL-FREE: 1-888-751-5324



NATIONWIDE
INDUSTRIES



ORNAMENTAL HARDWARE

HINGES



Adjustable Self-Closing Stainless Steel Hinge

- ▶ Stainless steel, powder coated
- ▶ Easy tension adjustment
- ▶ Larger easy to hold pin
- ▶ Allen wrench included
- ▶ 12 pair per box @ 29lbs

NW171SCP5-SSBD-SD Black (self-drilling screws)



CornerStone® Adjustable Self-Closing Hinge

- ▶ Fully adjustable horizontally and vertically
- ▶ Same spring and barrel as the CH090
- ▶ 1/4" Allen wrench included for tension adjustment
- ▶ 20 pair per box @ 26lbs

CH095F-SD-BK Black with stainless steel self-drilling screws

1
MILLION
Cycle
Warranty



CornerStone®2 Non-Adjustable Self-Closing Hinge

- ▶ Post and Gate flanges: 1"(W) x 1"(D)
- ▶ Heavy duty design produced with durable glass-filled nylon
- ▶ 1/4" Allen wrench included for easy Turn-N-Go™ tension adjustment
- ▶ 20 pair per box @ 33lbs

C2H100N-SD-BK Black with stainless steel self-drilling screws

1
MILLION
Cycle
Warranty

CALL TOLL-FREE: 1-888-751-5324



NATIONWIDE
INDUSTRIES



ORNAMENTAL HARDWARE



CornerStone® Adjustable Self-Closing Hinge

- ▶ Horizontally adjustable to 1 1/4"
- ▶ Vertically adjustable to 1/2"
- ▶ Fits both right and left-hand applications
- ▶ 1/4" Allen wrench included for tension adjustment
- ▶ 20 pair per box @ 40lbs

1
MILLION
Cycle
Warranty

CH200F-SD-BK Black with stainless steel self-drilling screws.



Standard Square Hinge Set

- ▶ Fits 1.75" Gate Frame
- ▶ Black

ORGH17520-BK fits 2" Post

ORGH17525-BK fits 2-1/2" Post

CALL TOLL-FREE: 1-888-751-5324



NATIONWIDE INDUSTRIES



ORNAMENTAL HARDWARE

LATCHES



Keystone® X2 eXternal Mount Latch (Lockable)

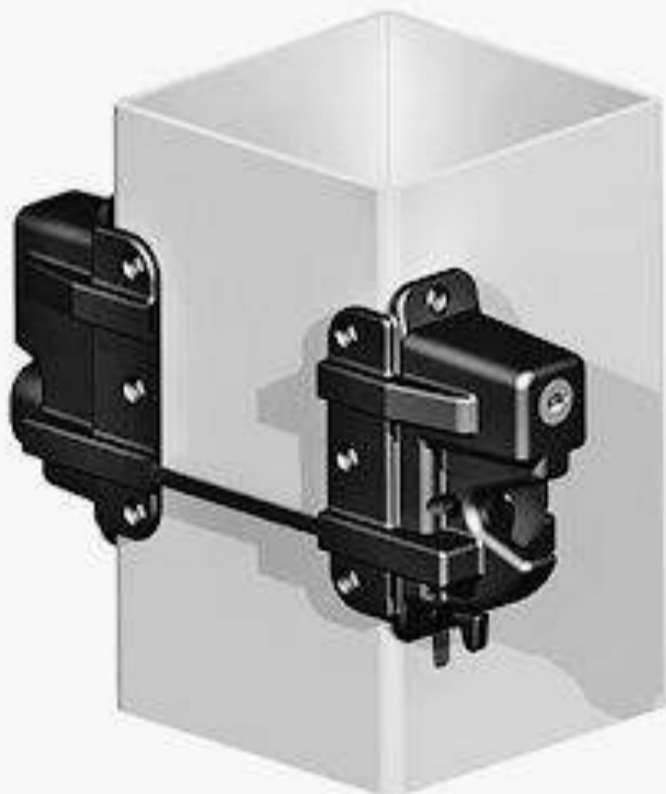
- ▶ 1-sided
- ▶ 20 per box @ 20lbs

KLX2-P1SD-BK Black with stainless steel self-drilling screws

- ▶ 2-sided
- ▶ Slimline design
- ▶ 20 per box @ 13lbs

KLX2-P2SD-BK Black with stainless steel self-drilling screws

1 MILLION Cycle Warranty



Keystone® X eXternal Mount Latch

- ▶ Marked in 1/2" increments for quick, easy and accurate fitting to post sizes 2" - 5"
- ▶ Flat design safely encloses spindle ends
- ▶ 20 per box @ 22lbs
- ▶ Use with KLX-RPA for chain link

KLX-P2SD-BK Black (Nylon)

1 MILLION Cycle Warranty



Keystone® Self-Locking Panic Latch

- ▶ Self-Locking anti-tamper design
- ▶ Easy exit with large button
- ▶ Secure Entry with 6 pin key
- ▶ 6 per box @ 20lbs
- ▶ Use with KPL-RPA for chain link

KPL-P2SD-BK Black with self-drilling screws.

1 MILLION Cycle Warranty



Fork Latch Assembly

- ▶ Fits 1.75" Gate Frame
- ▶ Black

ORGL17520-BK fits 2" Post

ORGL17525-BK fits 2-1/2" Post

CALL TOLL-FREE: 1-888-751-5324



NATIONWIDE
INDUSTRIES



ORNAMENTAL HARDWARE



Trident Pool Latch

- ▶ SAFE-NOTCH® feature
- ▶ LATCH WHEN LOCKED™ feature
- ▶ Easy to see the maximum amount of gap width
- ▶ Easy to use markings show proper gate alignment
- ▶ Enhanced Knob Design
- ▶ Angled Key Hole
- ▶ 20 per box @ 20lbs

TRIDENT10-BK-SD Black

**1
MILLION
Cycle
Warranty**



Slim Line Latch

- ▶ Strike flange: 3.12"(W) x 3.5"(H) x 1.38"(D)
- ▶ Latch flange: 1.88"(W) x 5.5"(H) x 1.5"(D)
- ▶ Mounts around corner of post and gate frame
- ▶ Pad-lockable on both sides – Locking slide switch on latch arm
- ▶ Allows entry from both sides
- ▶ Reversible mounting (right or left handed)
- ▶ .63" Strike bar
- ▶ Stainless steel screws included
- ▶ 20 per box @ 44lbs

NW6255-SD-BK Black



Traverse Latch

- ▶ Locks and unlocks from both sides
- ▶ Easy to install
- ▶ For 2" fence posts
- ▶ No drilling holes through your posts
- ▶ Time saver for your installers
- ▶ 20 per box

KLTRV-20L-SD-BK Black, Left Hand, With self-drilling screws.

KLTRV-20R-SD-BK Black, Right Hand, With self-drilling screws.

**1
MILLION
Cycle
Warranty**

CALL TOLL-FREE: 1-888-751-5324



NATIONWIDE
INDUSTRIES



ORNAMENTAL HARDWARE

ACCESSORIES



Gate Handle with Bumper

- ▶ Made with durable glass-filled nylon with UV inhibitors
- ▶ Flanges are each 2"(W) x 1.75"(D) for durable attachment
- ▶ Overall height is 4.5" and handle is 1" deep
- ▶ Very comfortable and easy to grasp
- ▶ 50 per box @ 25lbs
- ▶ Also available in quantities of 10

NW6143S-SD-BK Black with stainless steel self-drilling screws

NW6143S-SD-WH White with stainless steel self-drilling screws

*Rubber pad backing absorbs gate slamming shock, reducing latch wear



Gate Handle

- ▶ Made with durable glass-filled nylon with UV inhibitors
- ▶ Flanges are each 1.5"(W) x 1.25"(D) for durable attachment
- ▶ Overall height is 5" and handle is .75" deep
- ▶ Very comfortable and easy to grasp
- ▶ 50 per box @ 8lbs

NW314S-SD-BK Black with stainless steel self-drilling screws.

NW314S-SD-WH White with stainless steel self-drilling screws.



36" Stainless Steel Key Locking Drop Rod

- ▶ Add the appeal of a key lock to your drop rod
- ▶ Anti-theft protection
- ▶ The handle & brackets are made of low-maintenance, glass filled nylon
- ▶ The rods are 300 series stainless steel
- ▶ Available with Black or White brackets
- ▶ 2-sided bracket attachment
- ▶ 10 per box @ 36lbs

NW38305KL-36SSB-SD Black with stainless steel self-drilling screws

NW38305KL-36SSW-SD White with stainless steel self-drilling screws

CALL TOLL-FREE: 1-888-751-5324



NATIONWIDE
INDUSTRIES



ORNAMENTAL HARDWARE



36" Stainless Steel Drop Rod

- ▶ 5/8" diameter
- ▶ Screws included
- ▶ Dual guides
- ▶ Pad-lockable
- ▶ Retention-ears for theft prevention
- ▶ 10 per box @ 23lbs

NW38305H-36SSBD Black

NW38305H-36SSWD White



Shotgun® Gate Closer

- ▶ One SKU closes any gate up to 250lbs*
- ▶ Anti-slam technology
- ▶ Adjustable closing speed
- ▶ No oil therefore no leaks
- ▶ 10 per box @ 67lbs

SHOTGUN-BK Black

*Tested on a 6' high, 6' wide. Needs a gate stop at 90 degrees



36" Heavy Duty Steel Drop Rod

- ▶ Utilizes Standard 36" Pad-Lockable Zinc Rod
- ▶ Bracket Flange (1 5/8" W x 1 1/2" D x 3" H)
- ▶ 20 pair per box @ 38lbs
- ▶ (NW38305N-36SSx Equivalent)

SV38305N-36BK Black

SV38305N-36WH White



Floor Mount Bracket for 2" Post

- ▶ Accommodates a 2" x 2" post
- ▶ Profile height: 1 3/4"
- ▶ Flange: 4 3/8" x 4 3/8"
- ▶ 50 per box @ 44lbs

NW302-26-BK Black

CALL TOLL-FREE: 1-888-751-5324



NATIONWIDE
INDUSTRIES



ORNAMENTAL HARDWARE



Two Piece Cover Plate for 2" Ornamental Floor Bracket

- ▶ Accommodates a 2" x 2" post
- ▶ Profile height: 1 7/8"
- ▶ Flange: 4 3/4" x 4 3/4"
- ▶ Fits Over NW302
- ▶ 50 per box @ 24lbs

NW6243-BK Black



Floor Mount Bracket for 2 1/2" Post

- ▶ Accommodates a 2 1/2" x 2 1/2" post
- ▶ Profile height: 1 3/4"
- ▶ Flange: 4 7/8" x 4 7/8"
- ▶ 40 per box @ 44lbs

NW6187H-BK Black with hole for set screw



Two Piece Cover Plate for 2 1/2" Ornamental Floor Bracket

- ▶ Accommodates a 2 1/2" x 2 1/2" post
- ▶ Profile height: 1.9"
- ▶ Flange: 5 1/5" x 5 1/5"
- ▶ Fits Over NW6187
- ▶ 50 per box @ 29lbs

NW6269-BK Black

CALL TOLL-FREE: 1-888-751-5324



NATIONWIDE INDUSTRIES



CORNERSTONE® & CORNERSTONE®2

SELF CLOSING NYLON HINGES

1 MILLION Cycle Warranty

SERIES	WOOD	ORNAMENTAL	VINYL	GATE GAP	GATE RATING	ADJUSTABILITY	SCREWS*	COLOR	QTY/CASE
CH090		X		.75"	60lb.	Vertical	SD/ZD	Black/White	20(prs)
CH095F		X		.69"-1.92"	60lb.	Fully	SD/ZD	Black/White	20(prs)
CH100N		X	X	.5"	75lb.	None	SD/ZD	Black/White	20(prs)
CH101V		X		.1"	75lb.	Vertical	SD/ZD	Black	20(prs)
CH102V		X		.23"	75lb.	Vertical	SD/ZD	Black/White	20(prs)
CH200F		X		.67"-1.87"	75lb.	Fully	SD/ZD	Black/White	20(prs)
CH300F	X		X	.4"-1.3"	75lb.	Fully	SD/SS	Black/White	20(prs)
CH300H	X		X	.3"-2"	75lb.	Horizontal	SD/SS	Black/White	20(prs)
CH300N	X		X	.5"	75lb.	None	SD/SS	Black/White	20(prs)
CH350F	X		X	.4"-1.65"	150lb.	Fully	SD/SS	Black/White	10(prs)
CH100/300N			X	.5"	75lb.	None	SD/SS	Black	20(prs)
C2H100N		X	X	.75"	75lb.	None	SD/ZD	Black/White	20(prs)
C2H200F		X	X	.55"-1.53"	75lb.	Fully	SD/ZD	Black	20(prs)
C2H300F	X		X	.75"-1.75"	75lb.	Fully	SD/SS	Black	10(prs)
C2H120NB		X	X	.75"	135lb.	None	SD/ZD	Black	20(prs)
C2H121NB		X		.1"	135lb.	None	SD/ZD	Black	20(prs)

Screws* SD-stainless steel self-drilling, ZD-zinc plated steel self-drilling, SS-Stainless Steel



*CornerStone® & CornerStone®2 hinges tested to 1 million weighted cycles on a 6ft x 4ft see chart above privacy gate

CALL TOLL-FREE: 1-888-751-5324



NATIONWIDE INDUSTRIES



GAP CHART

ADJUSTABLE HINGES

PART NUMBERS	GATE GAP MIN	GATE GAP MAX	TOTAL ADJ.	SELF-CLOSING
CH200F	0.67"	1.87"	1.2"	Yes
CH200F R	0.67"	1.87"	1.2"	Yes
CH300F	0.4"	1.3"	0.9"	Yes
CH300H	0.3"	2"	1.7"	Yes
CH350F	0.4"	1.65"	1.25"	Yes
HBH1	0.71"	2.22"	1.51"	No
HBH1SC	0.71"	2.22"	1.51"	Yes
NW093V	1"	1.81"	0.81"	Yes
NW171NASC	0.49"	1.16"	0.67"	Yes
NW171NASCA	0.34"	1.23"	0.89"	Yes
NW171SCP	0.34"	1.36"	1.02"	Yes
NW171SCP2	0.34"	1.36"	1.02"	Yes
NW171SCP3	0.49"	1.31"	0.82"	Yes
NW171SCP4	0.45"	1.49"	1.04"	Yes
NW171SCP5	0.45"	1.49"	1.04"	Yes
NW171SCPT	0.34"	1.36"	1.02"	Yes
NW172	0.34"	2.52"	2.18"	No
NW6056	0.2"	2.03"	1.83"	No
NW6082SCP	0.34"	2.31"	1.97"	Yes
NW6082B	0.34"	2.03"	1.69"	Yes
NW6159	0.34"	2.52"	2.18"	No
NW6218	3.25"	6.55"	3.3"	No
NW38950N	0.52"	1.8"	1.28"	No
NW38951N	0.52"	1.8"	1.28"	No
NW3891NWV	0.52"	1.81"	1.29"	No
NW38952SCR	0.5"	2"	1.5"	Yes
NW38953SCR	0.35"	2"	1.65"	Yes
NW38954	0.52"	2.55"	2.03"	No
NW38955	0.38"	2.3"	1.92"	No
NWSS-HD-SC	0.37"	1.37"	1"	Yes
NWSS-HDT-SC	0.37"	1.37"	1"	Yes
NAUTILUS	1.05"	1.55"	0.50"	Yes
C2H200F	0.55"	1.53"	.98"	Yes
C2H300F	0.75"	1.75"	1.0"	Yes

NON-ADJUSTABLE HINGES

PART NUMBERS	GAP	SELF-CLOSING
CH090	0.75"	Yes
CH100N	0.5"	Yes
CH102V	0.23"	Yes
CH300N	0.5"	Yes
NW093	0.6"	Yes
NW093A	0.55"	Yes
NW093J	0.6"	Yes
NW094L	0.5"	Yes
NW095	0.5"	Yes
NW096	0.5"	Yes
NW149	0.89"	No
NW216	0.74"	No
NW6189	3"	No
C2H100N	0.75"	Yes

LATCHES

PART NUMBERS	GATE GAP MIN	GATE GAP MAX	TOTAL ADJ.
AQUA	0.5"	2.5"	2"
TRIDENT	0.375"	1.5"	1.12"
PROTECTOR	0.5"	2.5"	2"
MANTA	.31"	1.31"	1"
ORNAMAG	.31"	1.43"	1.12"
KLX-RPA	1"	2.1"	1.1"
NW6244	0.5"	1.5"	1"
KLX2	0.5'	2"	1.5"
KPL	0.45"	1.45"	1"
KLADV-M2	0.35'	1.67"	1.32"
KLADV-P2	0.46"	1.83"	1.37"
KLX-P2	0.66"	1.78"	1.12"
NW38340Q	0	4.25"	4.25"
RUSL1-BK	0	1.62"	1.62"
NW38203Q	0	2.37"	2.37"
NW6169	0.75"	2.75"	2"
GSL-DD	2.25"	3.75"	1.5"

CHAIN LINK

PART NUMBERS	GATE GAP MIN	GATE GAP MAX	TOTAL ADJ.	SELF-CLOSING
CL-CSL212	2"	7"	5"	
CL-CSL3	2"	6.8"	4.8"	
CL-CSL4	2"	5.5"	.35"	
CL-CDL	2.38"	5.5"	3.12"	
CL-7210 1.38/2.38	1.38"	2.81"	1.43"	Yes
CL-7210 1.38/2.88	1.6"	2.97"	1.37"	Yes
CL-7210 1.63/2.38	1.5"	2.87"	1.37"	Yes
CL-7210 1.63/2.88	1.5"	3"	1.4"	Yes
CL-RDL	1.75"	4.125"	2.375"	

*Hinge Gap is calculated using SUPPLIED Fasteners;different hardware may change minimum value.

CALL TOLL-FREE: 1-888-751-5324