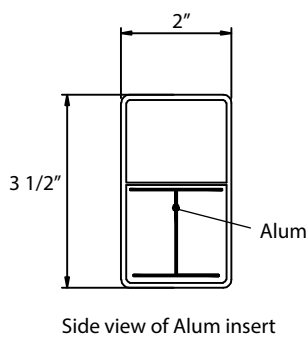


Material per 8' section

Item	Dimension	Thickness	Qty
Post	5" x 5" x 54"	0.150"	1
Rail	2" x 3 1/2" x 93 2/5"	0.11"	1
	2" x 3 1/2" x 93 2/5"	0.11"	1
Picket	7/8" x 3"	0.051"	15
Steel Pipe	2 3/8" x 96"		1
Top Rail Tie	5" x 5"		1
Collar	5" x 5"		2
Alum	93 2/5"		1
Post Cap	Flat Cap		1
Picket Cap	Dog Ear		15



Picket: 49" x 2, 47 1/2" x 2, 46 1/4" x 2, 45 1/4" x 2, 44 1/2" x 2  
44" x 2, 43 3/4" x 3