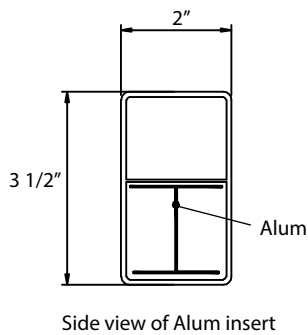


Material per 8' section

Item	Dimension	Thickness	Qty
Post	5" x 5" x 66"	0.150"	1
Rail	2" x 3 1/2" x 93 2/5"	0.11"	1
	2" x 3 1/2" x 93 2/5"	0.11"	1
Picket	7/8" x 3"	0.051"	15
Steel Pipe	2 3/8" x 96"		1
Top Rail Tie	5" x 5"		1
Collar	5" x 5"		2
Alum	93 2/5"		1
Post Cap	Flat Cap		1
Picket Cap	Spade Caps		15



Picket: 61" x 2, 59 1/2" x 2, 58 1/4" x 2, 57 1/4" x 2, 56 1/2" x 2, 56" x 2, 55 3/4" x 3