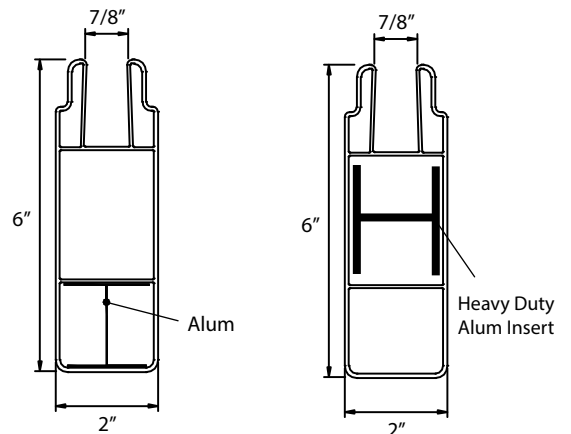


**Material per section**

Item	Dimension	Thickness	Qty
Post	5" x 5" x 78"	0.150"	1
Top Rail	2" x 6" x 93 2/5"	0.080"	1
Bottom Rail	2" x 6" x 93 2/5"	0.080"	1
U-Channel	1 3/8" x 60"	0.080"	2
Panel	7/8" x 11 3/8" x 62 3/4"	0.051"	8
Steel Pipe	2 3/8" x 96"		1
Top Rail Tie	5" x 5"		1
Collar	5" x 5"		2
Alum	93 2/5"		1
Post Cap	Flat Cap		1

**Side view of Alum insert**



\* WHITE

- \* TAN
- \* GREY
- \* ADOBE
- \* SILVER BIRCH